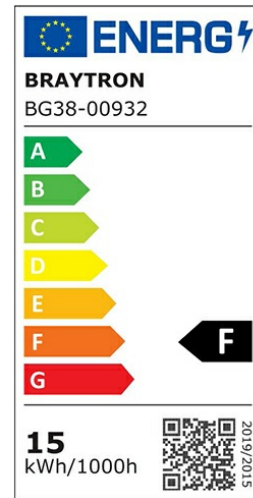
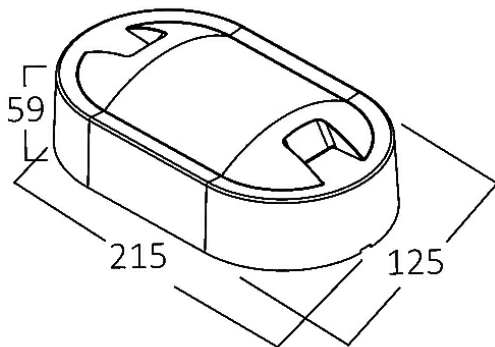


# Braytron

## PRODUCT DATASHEET

MODEL NO BG38-00932

DESCRIPTION BRY-WALLS-D-ELP-GRY-15W-6500K-IP65-WALL LIGHT



BRAYTRON SRL

Bulaverdul iuliu maniu, Nr.616, Sector 6, 061129, Bucuresti-ROMANIA

info@braytron.com

www.braytron.com

### General Characteristics

Model No	:	BG38-00932
Main Family	:	Outdoor Lighting
Sub Family	:	LED Wall Light
Type	:	Bulkhead
Body Color	:	Grey
Lamp Shape	:	Non-Directional
Dimmable	:	Not-Dimmable
Light Source	:	LED
Warranty	:	2 years
Class	:	Class II
IP	:	IP65
IK	:	IK05

### Electrical Characteristics

Lifetime (at 2.7 h/day)	:	20000 h
Voltage	:	220-240V
Power Factor	:	>0,5
Material	:	PC
Working Temperature	:	20°C + 40°C
Frequency	:	50-60 Hz

### Package Informations

N.W.	:	7,2 kgs
G.W.	:	9,25 kgs
PCS/CTN	:	24 PCS
Length	:	400 mm
Width	:	275 mm
Height	:	455 mm
EAN	:	5949097719936

### Lamp Characteristics

Wattage	:	15 w
Color Temperature	:	6500K
Quse Lumen	:	1450 lm
Color Rendering Index (CRI)	:	>80
Energy Efficiency Level	:	F
Beam Angle	:	110°
Color Category	:	Cool White

### Lamp Dimensions & Weight

P. Length	:	215 mm
P. Width	:	125 mm
P. Height	:	59 mm
Weight	:	290 gr