

Braytron

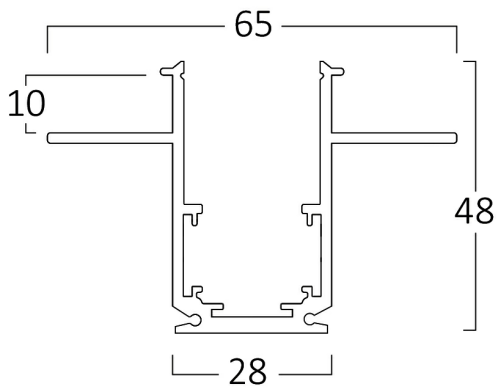
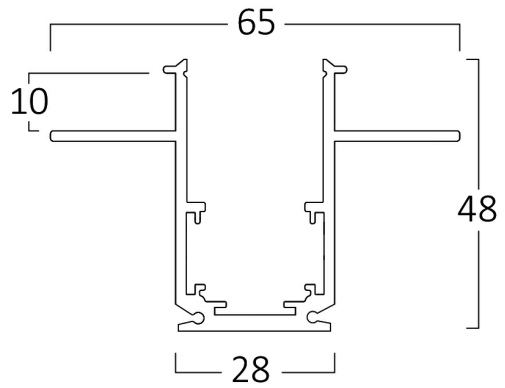
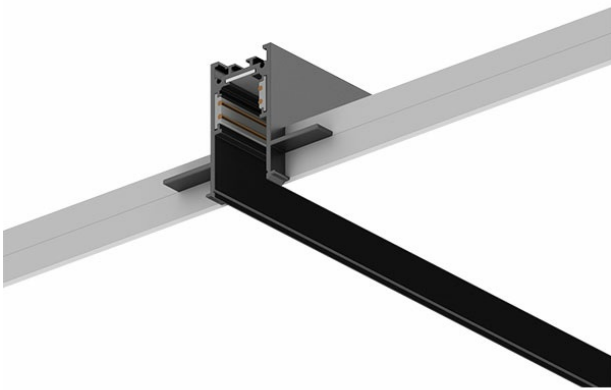
PRODUCT DATASHEET

MODEL NO

BY41-00111

DESCRIPTION

BRY-RC01-1M-48VDC-27.6x52.5-BLC-MAG.RAIL



BRAYTRON SRL

Bulaverdul iuliu maniu, Nr.616, Sector 6, 061129, Bucuresti-ROMANIA

info@braytron.com

www.braytron.com

Page 1-2

General Characteristics

| | | |
|-------------|---|----------------|
| Model No | : | BY41-00111 |
| Main Family | : | Track Lighting |
| Sub Family | : | Trackrails |
| Type | : | Mag.Rail |
| Body Color | : | Black |
| Warranty | : | 2 years |
| Class | : | Class III |
| IP | : | IP20 |

Lamp Dimensions & Weight

| | | |
|-----------|---|---------|
| P. Length | : | 1000 mm |
| P. Width | : | 64,5 mm |
| P. Height | : | 47,5 mm |
| Weight | : | 1080 gr |

Electrical Characteristics

| | | |
|---------------------|---|-------------|
| Voltage | : | 48VDC |
| Material | : | Aluminium |
| Working Temperature | : | 20°C + 40°C |

Package Informations

| | | |
|---------|---|---------------|
| N.W. | : | 4,32 kgs |
| G.W. | : | 4,8 kgs |
| PCS/CTN | : | 4 PCS |
| Length | : | 1030 mm |
| Width | : | 255 mm |
| Height | : | 70 mm |
| EAN | : | 5949097722752 |