

# Braytron

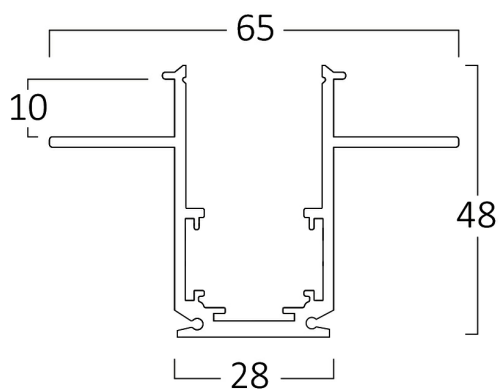
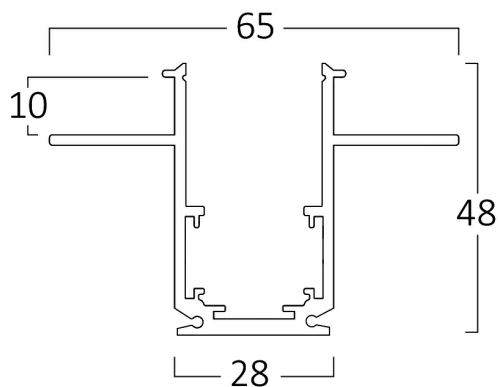
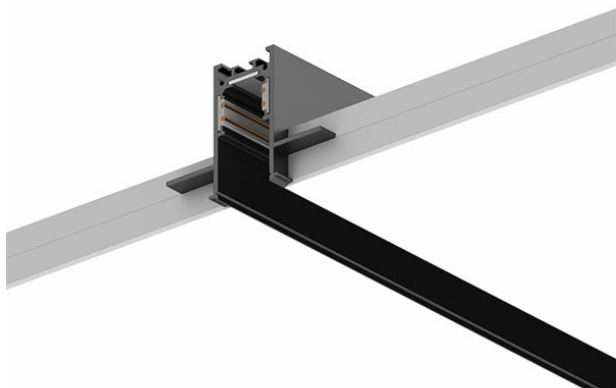
## PRODUCT DATASHEET

MODEL NO

BY41-00121

DESCRIPTION

BRY-RC01-2M-48VDC-27.6x52.5-BLC-MAG.RAIL



BRAYTRON SRL

Bulaverdul iuliu maniu, Nr.616, Sector 6, 061129, Bucuresti-ROMANIA

info@braytron.com

www.braytron.com

Page 1-2

### General Characteristics

Model No	:	BY41-00121
Main Family	:	Track Lighting
Sub Family	:	Trackrails
Type	:	Mag.Rail
Body Color	:	Black
Warranty	:	2 years
Class	:	Class III
IP	:	IP20

### Lamp Dimensions & Weight

P. Length	:	2000 mm
P. Width	:	64,5 mm
P. Height	:	47,5 mm
Weight	:	2140 gr

### Electrical Characteristics

Voltage	:	48VDC
Material	:	Aluminium
Working Temperature	:	20°C + 40°C

### Package Informations

N.W.	:	8,56 kgs
G.W.	:	9,46 kgs
PCS/CTN	:	4 PCS
Length	:	2030 mm
Width	:	255 mm
Height	:	70 mm
EAN	:	5949097722769