

# Braytron

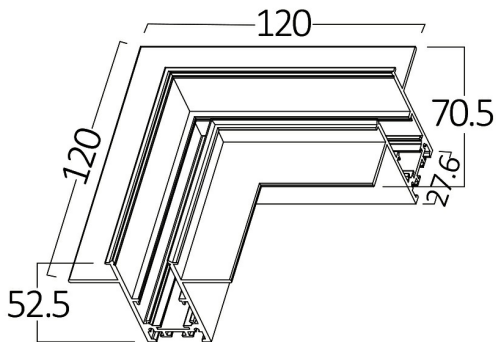
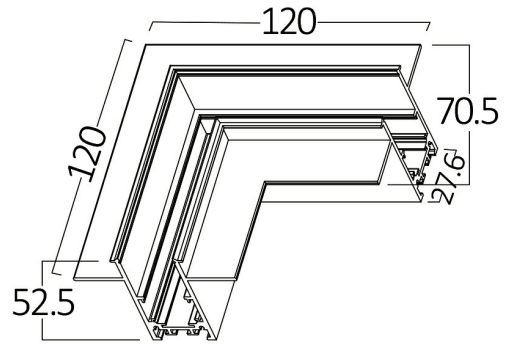
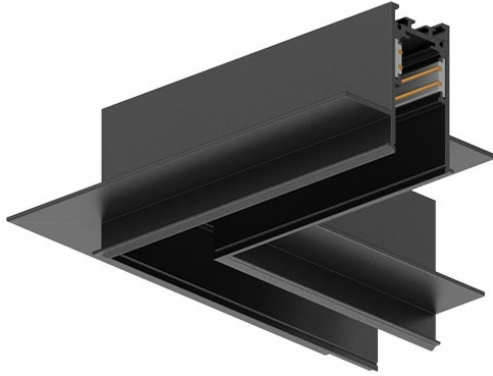
## PRODUCT DATASHEET

MODEL NO

BY41-10101

DESCRIPTION

BRY-CRC01-48VDC-27.6×52.5-BLC-MAG.RAIL



BRAYTRON SRL

Bulaverdul iuliu maniu, Nr.616, Sector 6, 061129, Bucuresti-ROMANIA

info@braytron.com

www.braytron.com

Page 1-2

### General Characteristics

Model No	:	BY41-10101
Main Family	:	Track Lighting
Sub Family	:	Trackrails
Type	:	Mag.Rail
Body Color	:	Black
Warranty	:	2 years
Class	:	Class III
IP	:	IP20

### Lamp Dimensions & Weight

P. Length	:	120 mm
P. Width	:	120 mm
P. Height	:	52,5 mm
Weight	:	170 gr

### Electrical Characteristics

Voltage	:	48VDC
Material	:	Aluminium
Working Temperature	:	20°C + 40°C

### Package Informations

N.W.	:	1,36 kgs
G.W.	:	1,7 kgs
PCS/CTN	:	8 PCS
Length	:	280 mm
Width	:	280 mm
Height	:	150 mm
EAN	:	5949097722776