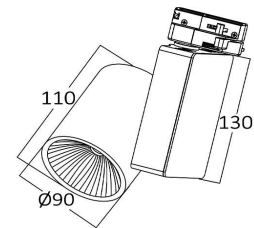


Product Datasheet



Products Family : LED Lighting Fixture
Products Name : LED Tracklight Fixture

Datasheet is valid for following Model numbers

Product Code	CCT	Body Color
BD30-00200	3000K	White
BD30-00201	3000K	Black
BD30-00210	4000K	White
BD30-00211	4000K	Black
BD30-00220	5000K	White
BD30-00221	5000K	Black

Manufacturer:
Demgrup international lighting limited
unit d 16/f,one capital place,18 luard road
wan chai, Hong Kong
www.demgrup.com.tr

Importer / Company:
Braytron S.R.L
Bulevardul iuliu maniu,nr.616, corp B
etaj 1 sector 6,061129 bucuresti, Romania
info@braytron.com www.braytron.com

Test condition:light for 30 mins under nominal voltage input and 25°C±1°working environment

General Characteristics

- Family : LED Lighting fixture
- Sub Family : LED Tracklight
- Mounting Type : Surface Mounting
- Lamp Shape : Directional
- Dimmable : No(Optional)
- Light Source : LED
- Warranty : 2 years
- IP : IP20

Lamp Characteristics

- Wattage : 30 w
- Color Temperatue : 3000K/4000K/5000K
- Luminous Flux(whole Product) : 2660 lm
- Luminous Flux(LED System) : 2660 lm
- Color Rendering Index(CRI) : 80
- Energy Efficiency Level : F
- Beam Angle : 24 Degree(s)
- Chromaticity(SDCM) : < 6

Electrical Characteristics

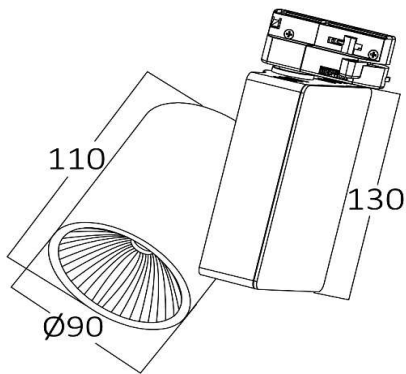
- Lifetime (L70B50) : 20000 h
- Input Voltage : 220-240 V
- Frequency : 50-60 Hz
- Power Factor : > 0.9
- Starting Time : < 0.5 s
- Lumen Maintenance Factor : > 0,899
- Number of Switch Cycles : > 15000
- Material : Aluminium
- Working Temperature : -20°C~+45°C
- Storage Temperature : -20°C~+60°C
- Environment humidity(working) : 10%~65%

Test condition: light for 30 mins under nominal voltage input and 25°C±1° working environment

Lamp Dimensions & Weight

• Diameter(mm)	:	90
• Length(mm)	:	110
• Height(mm)	:	130
• Cutout(mm)	:	
• Weight(gr)	:	938

Technical Drawing(s)



Reliability requirements and Test Conditions

- **Lumen maintenance**

Lumen maintenance is not lower than 89.9% after lighting for 2.5h on and 0.5h off for one cycle.
Total 1200 cycle and 3600h including 3000h on and 600h off.

- **Working life (L70B50)**

Under nominal voltage input, working life is forced not lower than 20000h at 25°C±1°C

- **Remarks:**

Declared values above may vary ±%5

