

Technical data sheet

Junction box A 6

Item no. 2000003



Protection rating IP55, rated voltage 400 V, nominal cross-section 2.5 ÷ mm², 6 entries for cable diameter 5–14 mm
4 entries for cable diameter 5–9 mm.
Clamshell.
Dimensions: 80 x 43 x 36 mm
Clear internal dimensions: 69 x 32 x 30 mm
1 cut-out tool for every 10 boxes

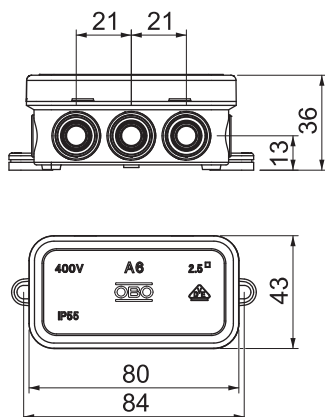


PE Polyethylene

Master data

Item no.	2000003
Type	A 6 HF RO
Description 1	Junction box
Dimension	80x43x34
Colour	Red
Material	Polyethylene
Material symbol	PE
Smallest sales unit (VG)	10,00 Piece
Weight	2,56 kg/100 pc.

Technical data



Length	80,00 mm
Width	43,00 mm
Height	36,00 mm
Clear internal dimensions	69x32x30 mm
Dimension LxWxH	80x43x36 mm
Dimension	80 x 43 x 36 mm
Expandable	<input type="checkbox"/>
No. of entries	10,00
Type of entry	Cable
Type of entry	Cable
Type of housing penetration	Pre-marking
Measured insulation voltage Vi	690,00 V
Equipment	Without
Cover	Not transparent
Cover fastening	Locking
Entries	6 entries for cable diameter 5–14 mm 4 entries for cable diameter 5–9 mm
Entry from rear	<input type="checkbox"/>
Explosion-tested version	<input type="checkbox"/>
Flame resistant	Flame resistant to VDE 0471/DIN 695 Part 2-1, test temperature 650 °C

Technical data sheet

Junction box A 6

Item no. 2000003



Technical data

Shape	Square
Function maintenance (ETIM)	Without
For Ex zone	Without
For Ex zone gas	Without
For Ex zone dust	Without
Halogen-free	<input checked="" type="checkbox"/>
Max. conductor cross-section	2,50 mm ²
With screening	<input type="checkbox"/>
With cover	<input checked="" type="checkbox"/>
Installation type	Wall/ceiling mounting
Mounting type	Wall/ceiling mounting
Nominal cross section	2,50 mm ²
Nominal voltage	690,00 V
Protection rating	IP55
Sealable	<input type="checkbox"/>
max. permitted ambient temperature	-5,00 - 45,00 °C
Transparent lid	<input type="checkbox"/>
Weatherproof	<input type="checkbox"/>